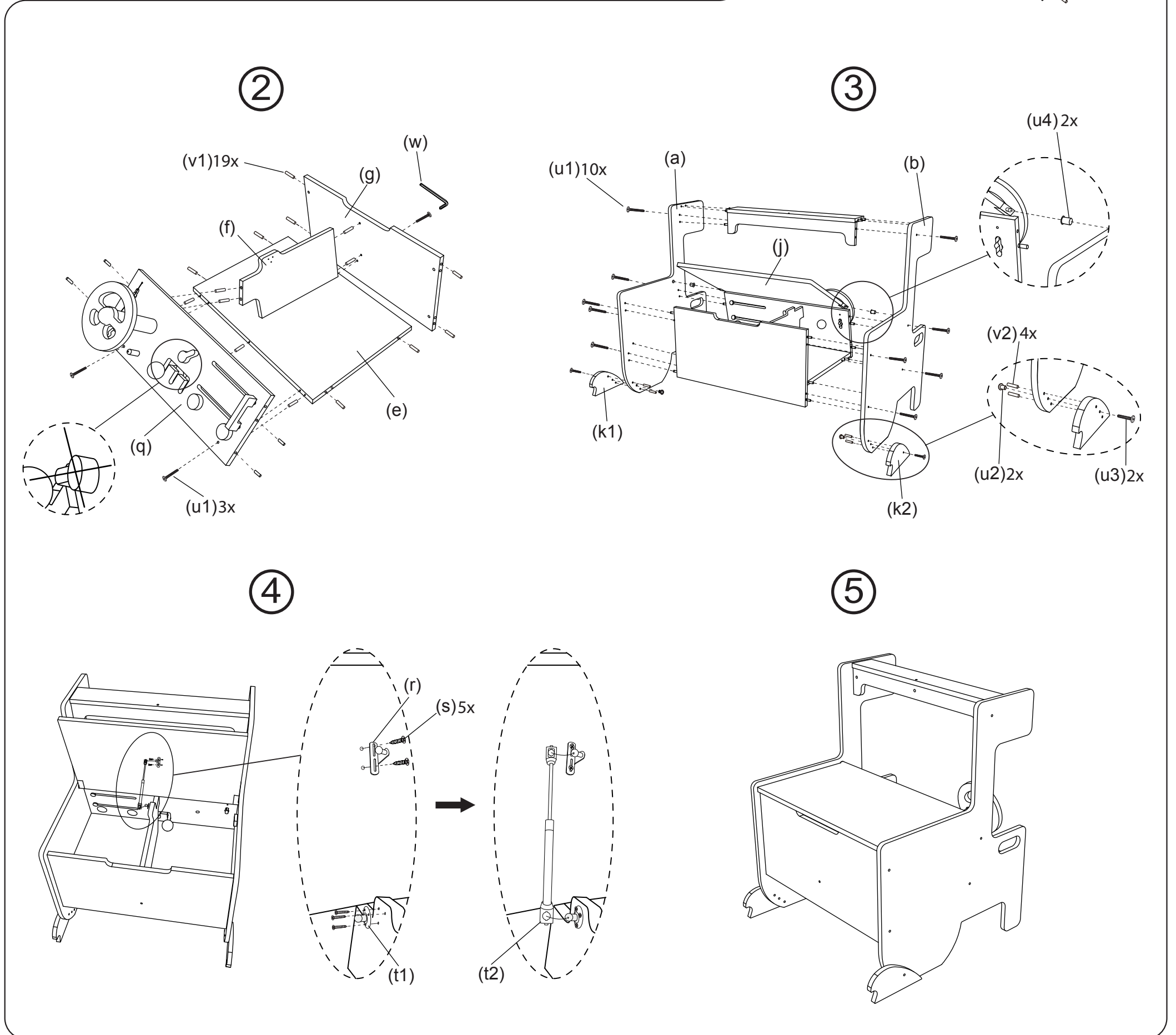
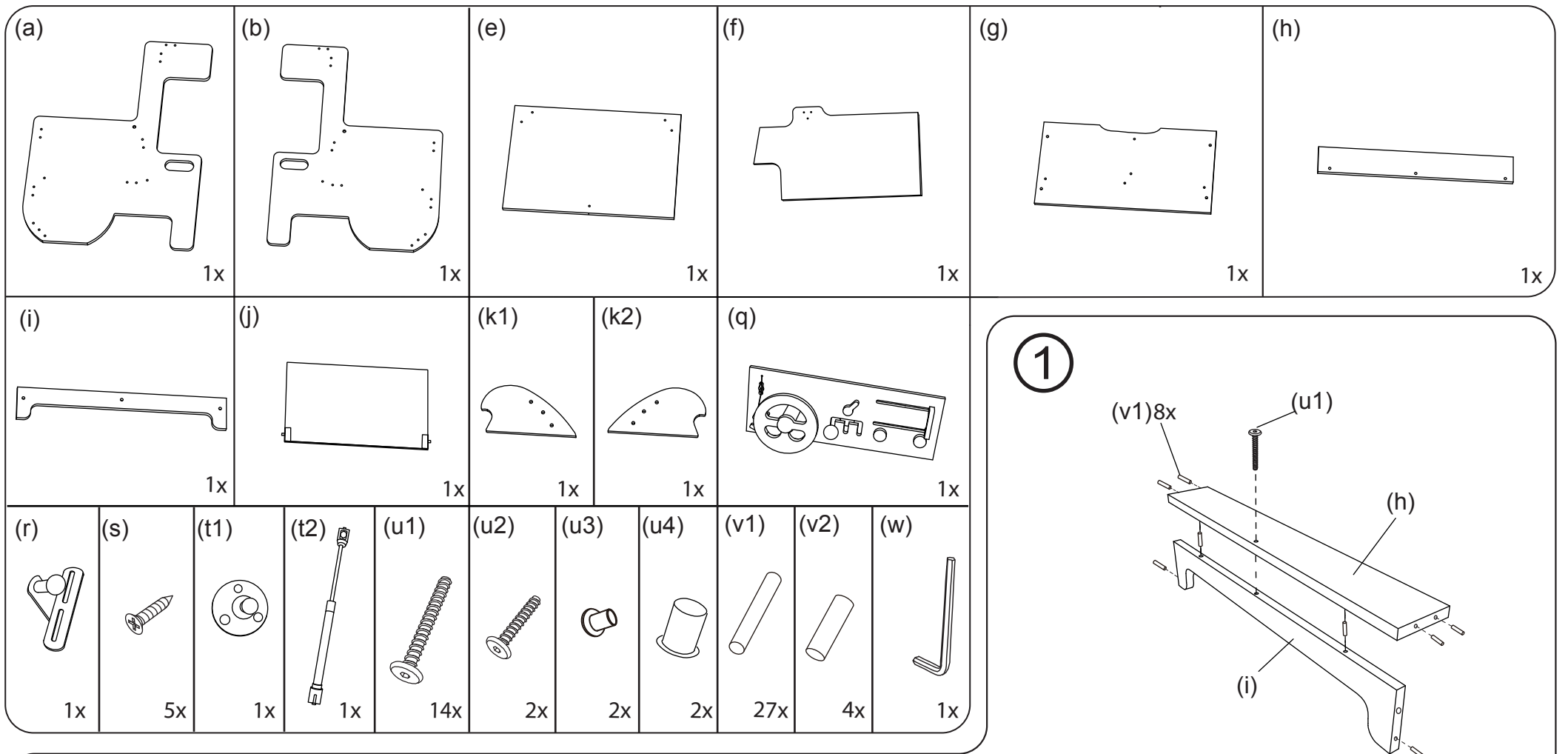
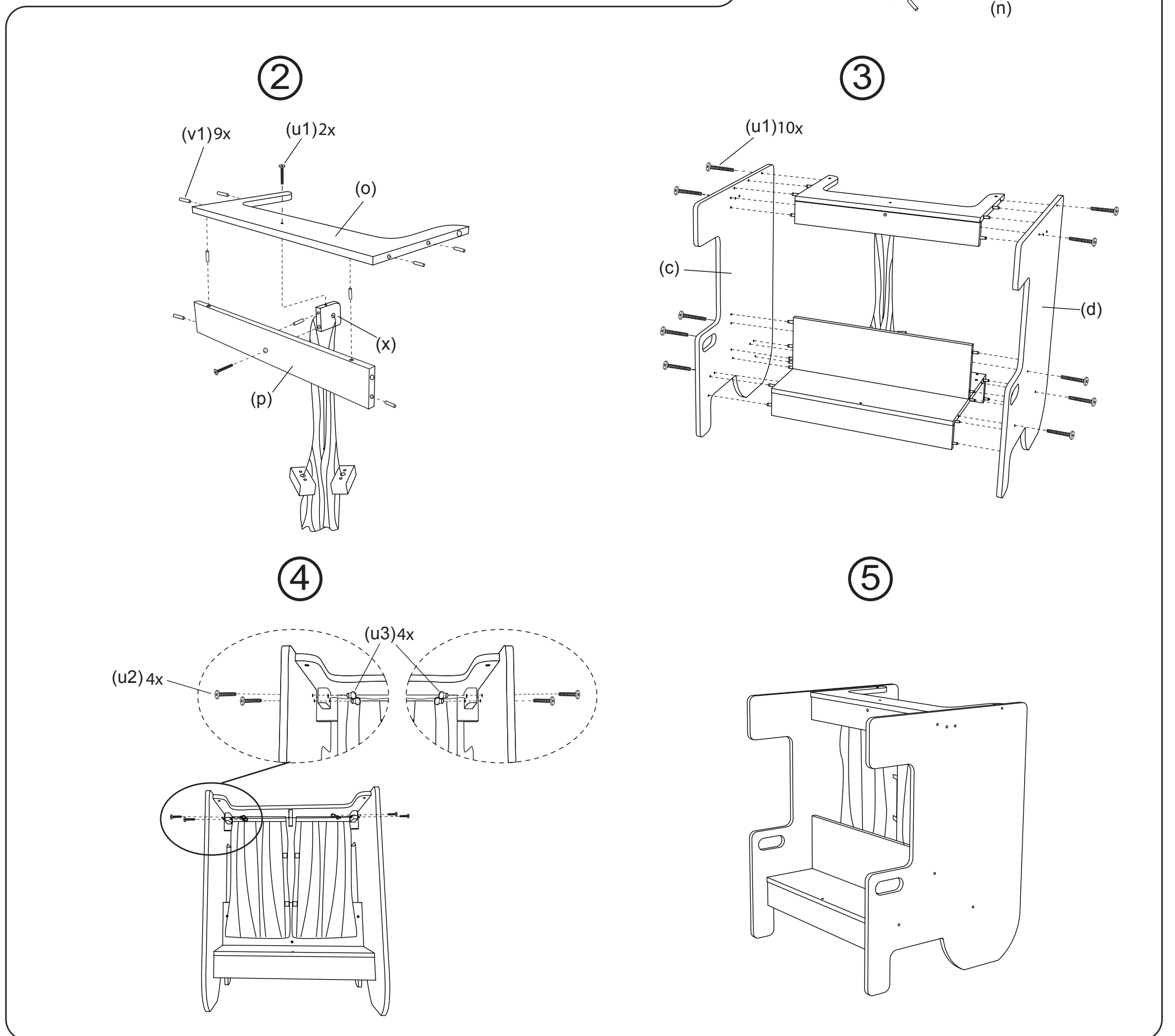
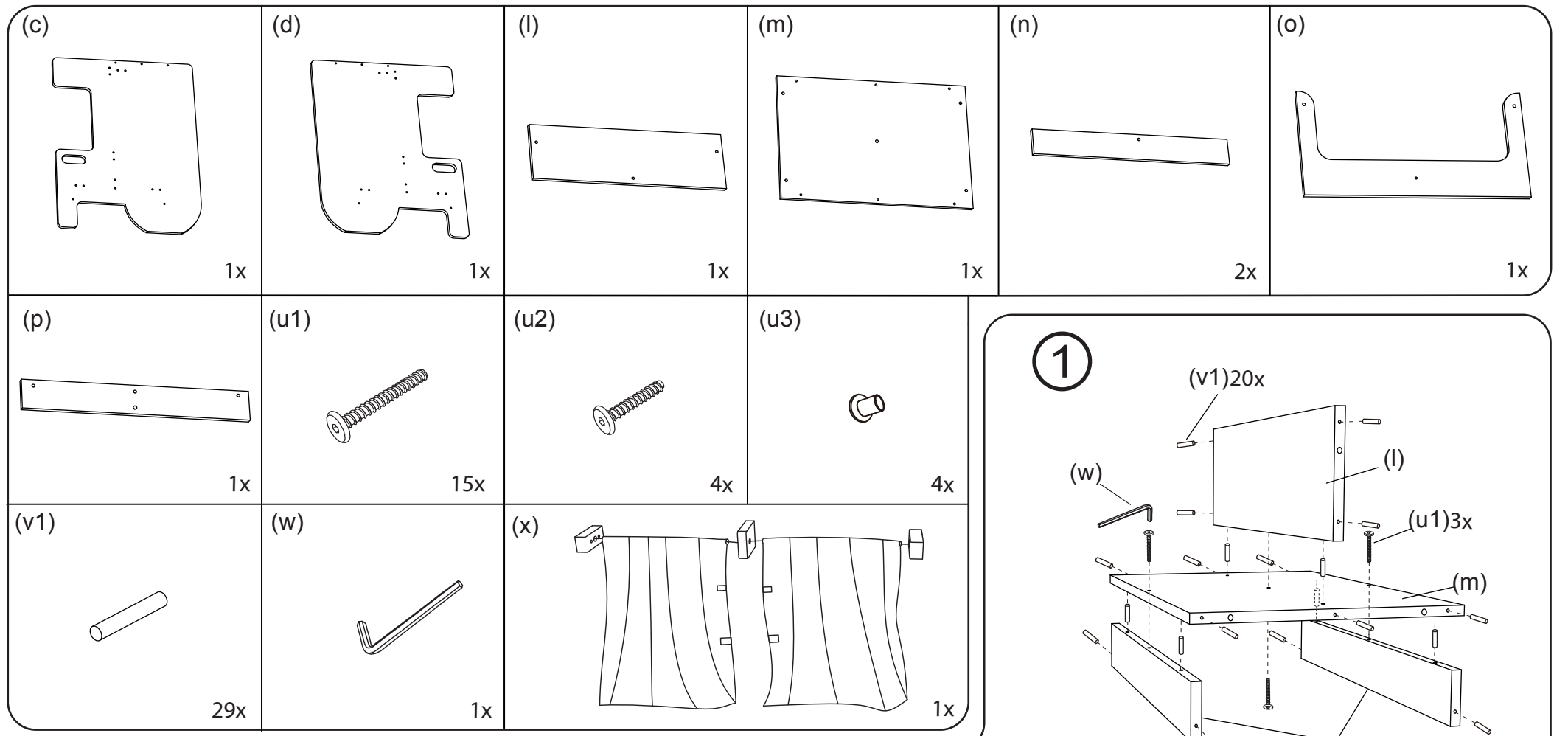


27009 MultiMOBIL front



27009 MultiMOBIL back



27009 MultiMOBIL total content

27009-1 : (a) (b) (c) (d)

(a) 1x	(b) 1x	(c) 1x	(d) 1x	
---------------	---------------	---------------	---------------	--

27009-2 : (e) (f) (g) (h) (i) (j) (l) (m) (n) (o) (p)

(e) 1x	(f) 1x	(g) 1x	(h) 1x	(i) 1x
(j) 1x	(l) 1x	(m) 1x	(n) 2x	
(o) 1x	(p) 1x			

27009-3 : (k1) (k2) (q) (r) (s) (t1) (t2) (u1) (u2) (u3) (u4) (v1) (v2) (w) (x)

(k1) 1x	(k2) 1x	(q) 1x	(r) 1x	(s) 5x	(t1) 1x	(t2) 1x	(u1) 29x	(u2) 6x	(u3) 6x	(u4) 2x
(v1) 56x	(v2) 4x	(w) 2x	(x) 1x			<p>!</p> <ul style="list-style-type: none"> (D) Tipp: Dübel einleimen. (EN) Tip: Glue the dowels. (F) Astuce: coller sur les deux faces. (ES) Consejo: encolar los tacos/pasadores. (NL) Tip: plug inlijmen. (I) Suggestimento: incollare i tasselli. (CHN) 贴士: 木梢请用胶水固定 				