



3+

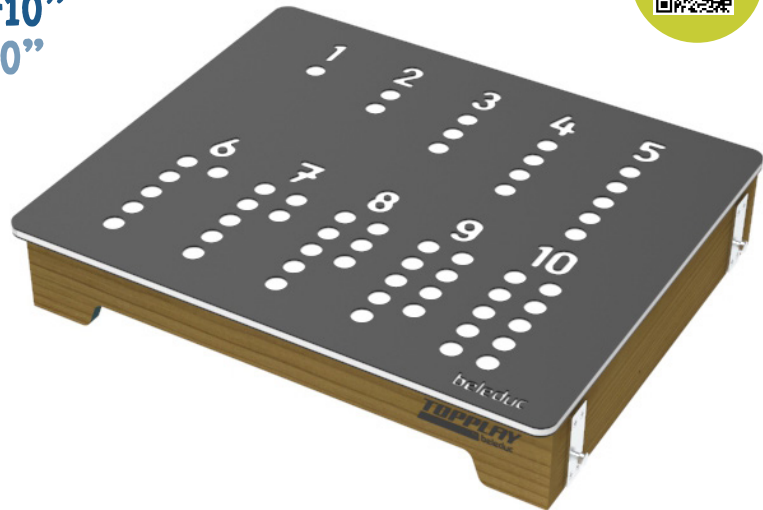
62104

ACTIVITY TABLE

SPIELBOARD "MATHE 1-10"
GAMEBOARD "MATH 1-10"

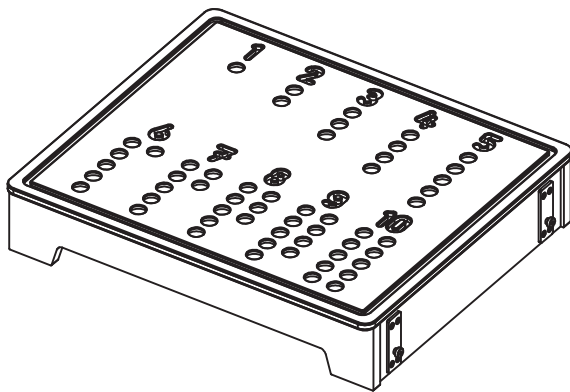


beleduc Lernspielwaren GmbH
Heinrich-Heine-Weg 2
09526 Olbernhau / Germany
www.beleduc.de
info@beleduc.de

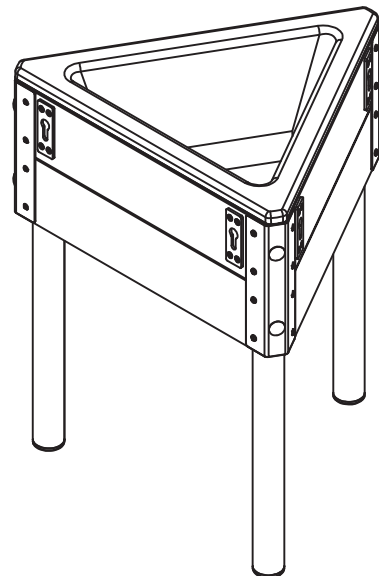


Contents

NOTE: Please read instructions before assembly.

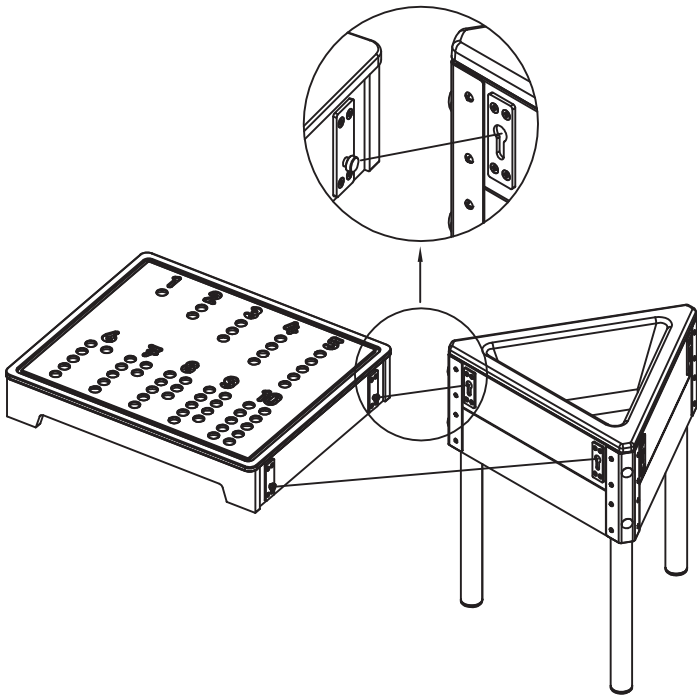


Game Panel x 1PCS



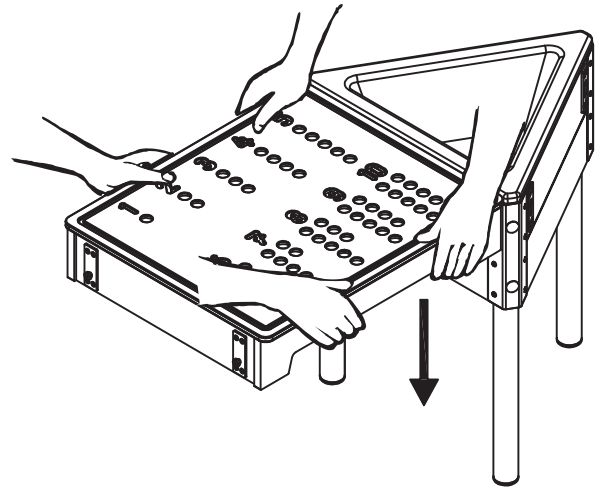
NOT INCLUDED

1



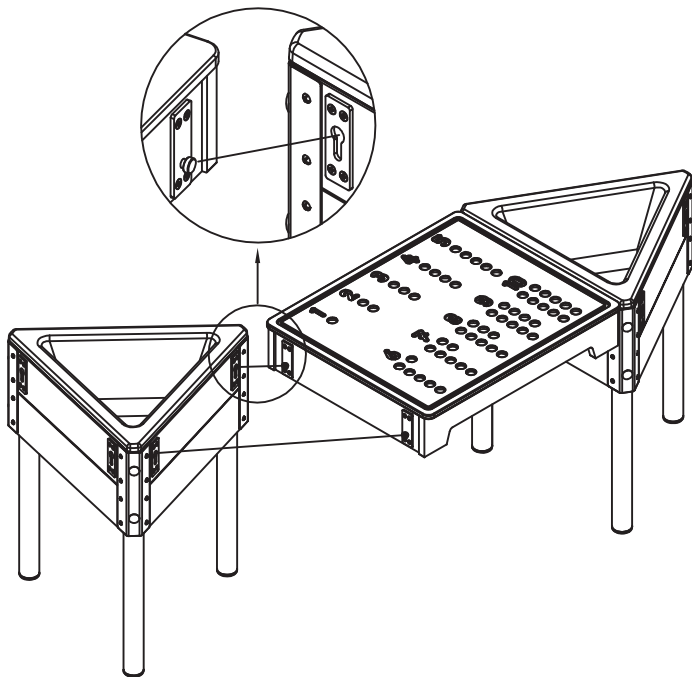
Align and Insert

2



Make the game panel down and locked

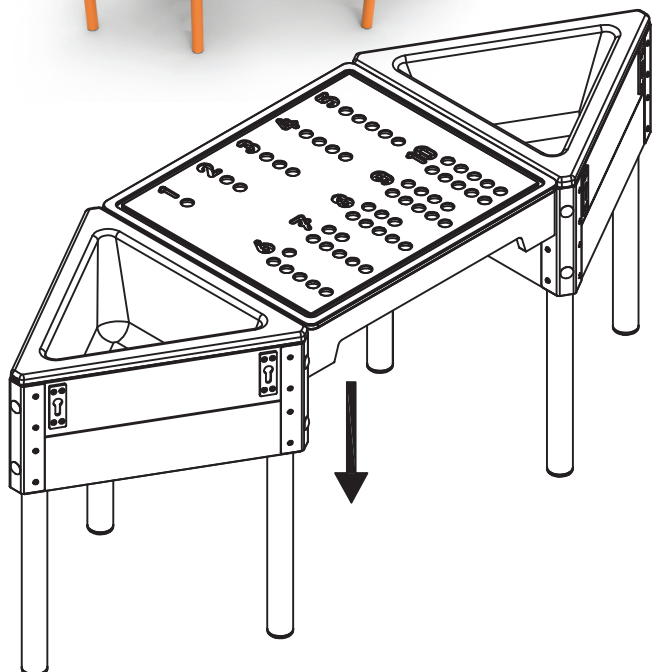
3



Align and Insert

4

Example of assembly:



Make the game panel down and locked