



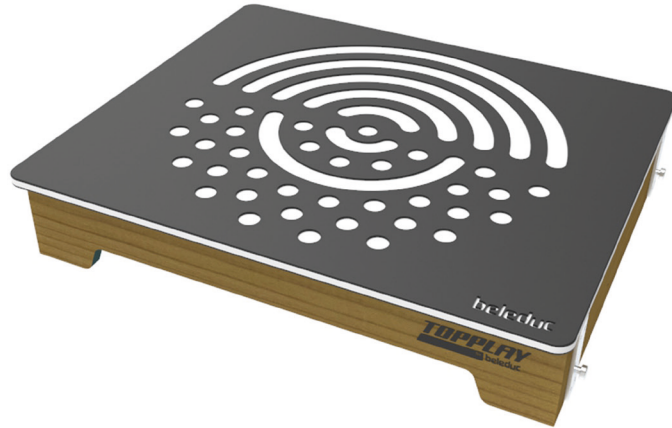
3+

62102

**ACTIVITY TABLE**  
**SPIELBOARD "REGENBOGEN"**  
**GAMEBOARD "RAINBOW"**

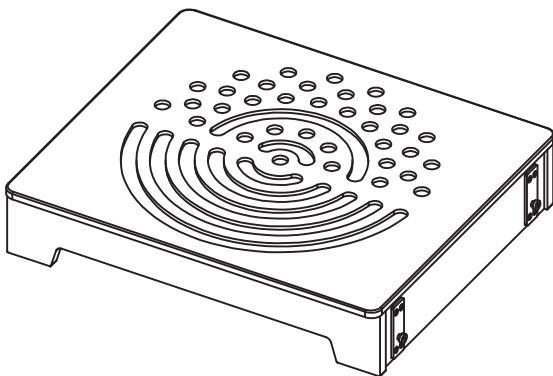


beleduc Lernspielwaren GmbH  
Heinrich-Heine-Weg 2  
09526 Olbernhau / Germany  
www.beleduc.de  
info@beleduc.de

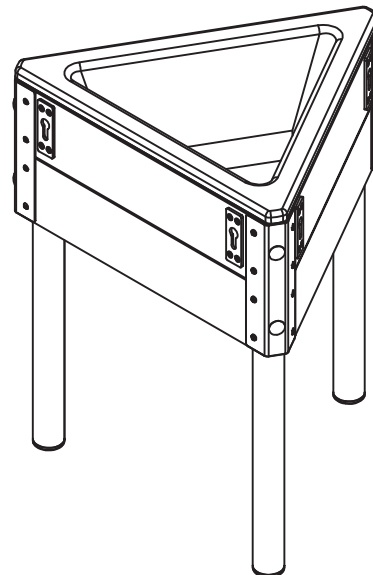


**Contents**

NOTE: Please read instructions before assembly.

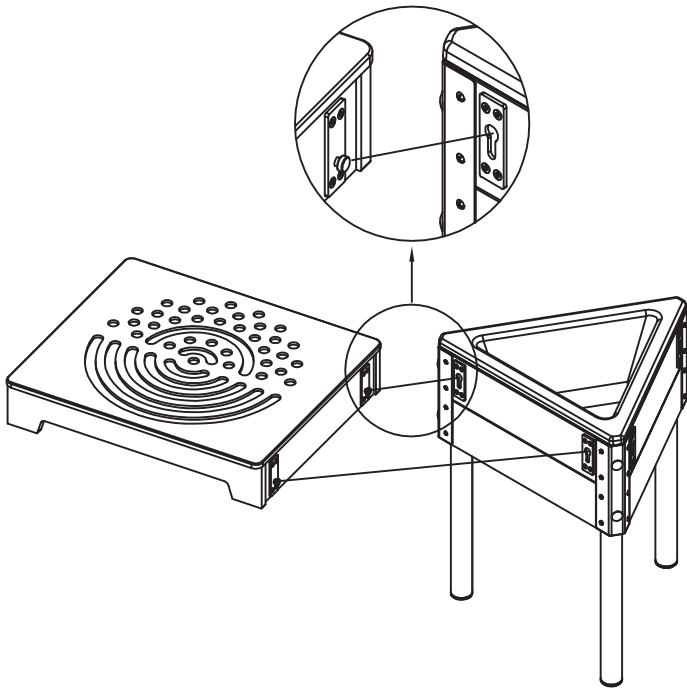


Game Panel x 1PCS



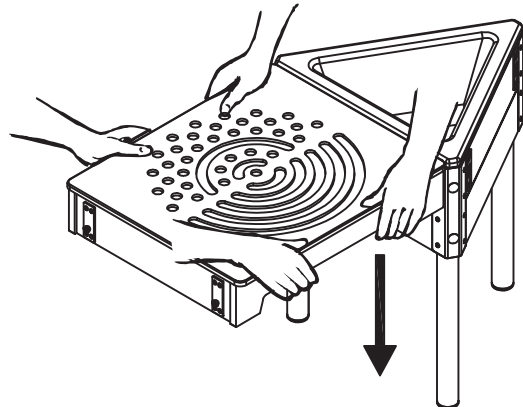
NOT INCLUDED

1



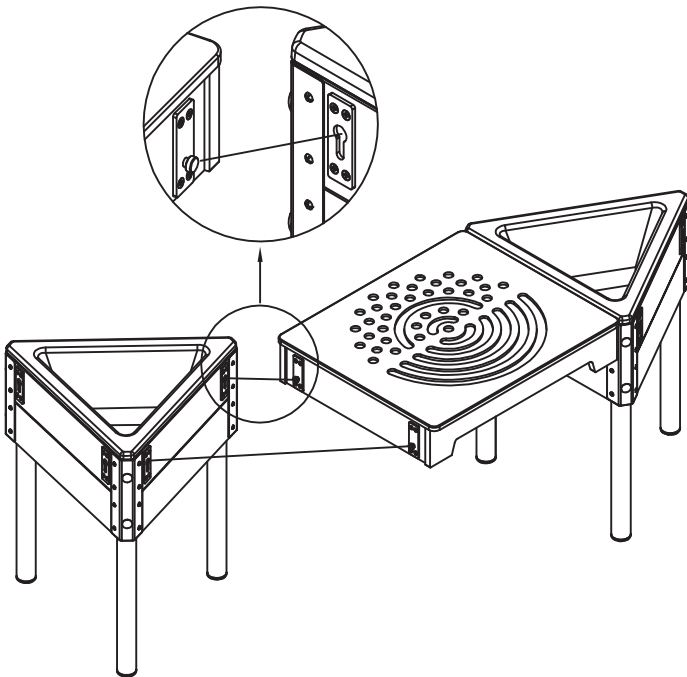
Align and Insert

2



Make the game panel down and locked

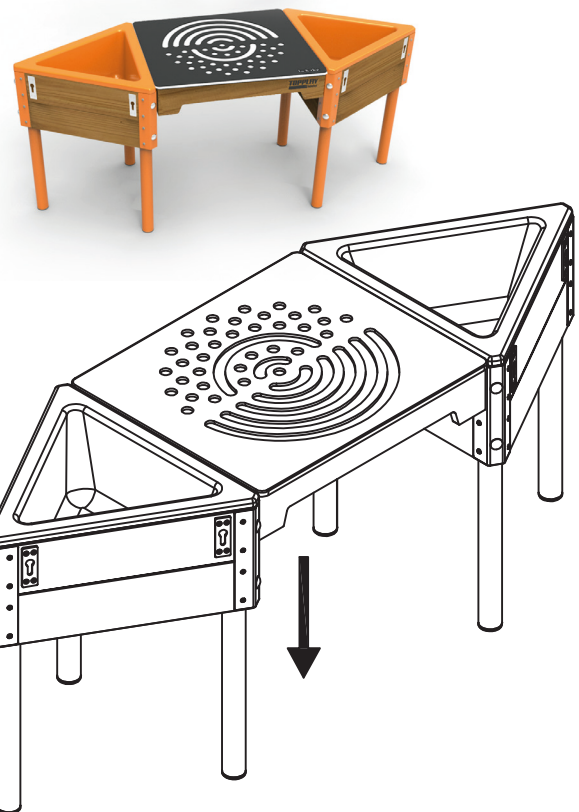
3



Align and Insert

4

Example of assembly:



Make the game panel down and locked